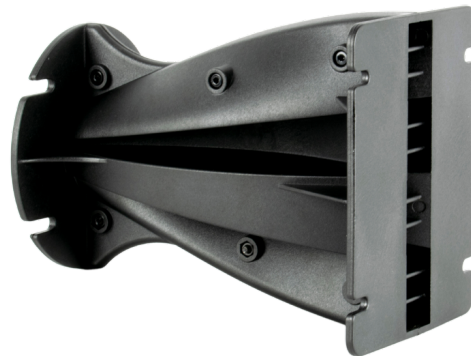


KEY FEATURES

- Designed for compression drivers with 1,4" (36 mm) throat diameter
- Coverage angles of max. 120° in the horizontal plane and 10° in the vertical plane
- Precise directivity control in the band pass
- Heavy-duty reinforced polycarbonate construction
- F.E.M optimized for isophasic output and homogeneous SPL along the length of the rectangular mouth



TECHNICAL SPECIFICATIONS

Throat diameter	36 mm	1,4 in
Horizontal Coverage	120° Max	
Vertical Coverage	10°	
Directivity Index (DI)	11,5 dB	
Frequency Range	0,5 - 20 kHz	
Active Radiating Factor	95 %	
Material	Reinforced Polycarbonate	

MOUNTING INFORMATION

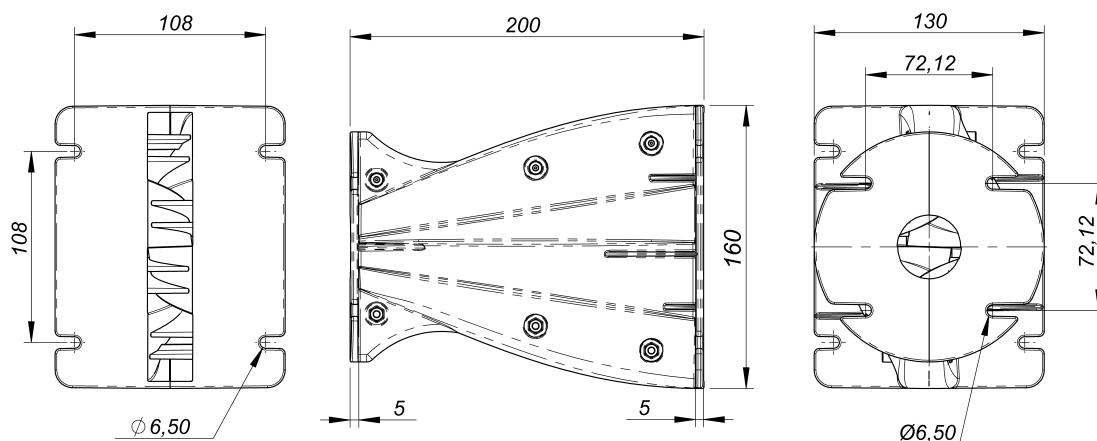
Dimensions (W x H x D)	130 x 160 x 200 mm
	5,1 x 6,3 x 7,9 in

Compression driver mounting

Four M6 holes, 90° apart on 101,6mm (4 in) diameter circle

Net weight	0,8 kg
Shipping weight	1 kg

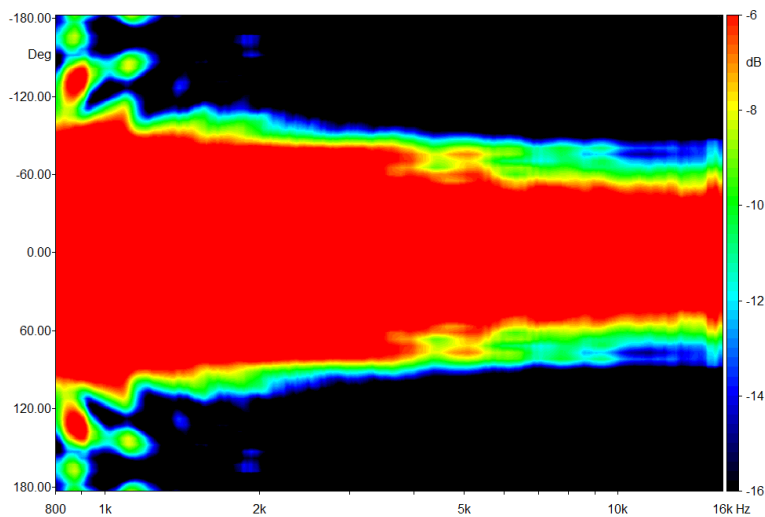
DIMENSION DRAWING



Notes:

Line/array waveguide measured with Beyma CD-314Nd/Ti compression driver.

HORIZONTAL DIRECTIVITY MAP



VERTICAL DIRECTIVITY MAP

