

KEY FEATURES

- 2" exit (50 mm) high frequency compression driver
- 4" (100 mm) voice coil diameter
- 200 W program power above 500 Hz
- Sensitivity: 112 dB, 1 W @ 1 m
- Integral pure Titanium diaphragm
- Lightweight aluminium voice coil
- Aluminium cover
- Neodymium magnet

TECHNICAL SPECIFICATIONS

Throat diameter	50,8 mm.	2 in.
Rated impedance		8 Ω
Minimum impedance		7 Ω @ 2 kHz
D.C. resistance		5,6 Ω
Power capacity*	100 W _{AES} above 500 Hz	
	150 W _{AES} above 1,2 kHz	
Program power	200 W above 500 Hz	
	300 W above 1,2 kHz	
Sensitivity**	112 dB 1W @ 1m	
	coupled to TD-460/N	
Frequency range		0,5 - 20 kHz
Recommended crossover		0,5 kHz or higher (12 dB/oct min.)
Voice coil diameter	100 mm	4 in
Magnetic assembly weight	3,6 kg	7,9 lb
Flux density		2 T
BL factor		16,5 N/A

MOUNTING INFORMATION

Overall diameter	165 mm	6,5 in
Depth	114 mm	4,5 in
Mounting	Four M6 threaded holes, 90° apart on 101,6 mm (4") diameter circle	
Net weight	4,4 kg	9,7 lb
Shipping weight	5 kg	11 lb

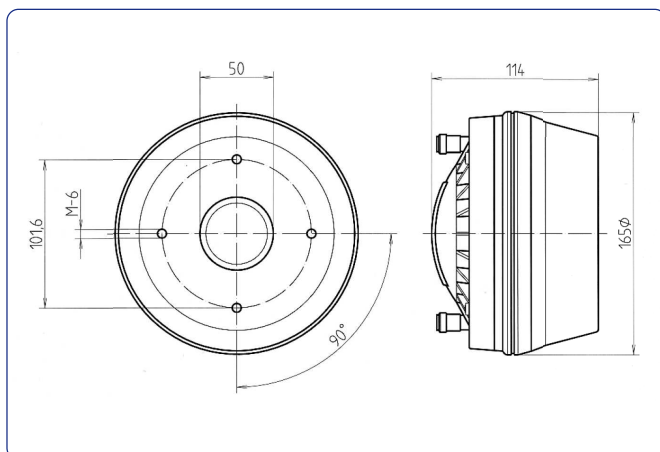
Notes:

* The power capacity is determined according to AES2-1984 (r2003) standard. Program power is defined as the transducer's ability to handle normal music program material.

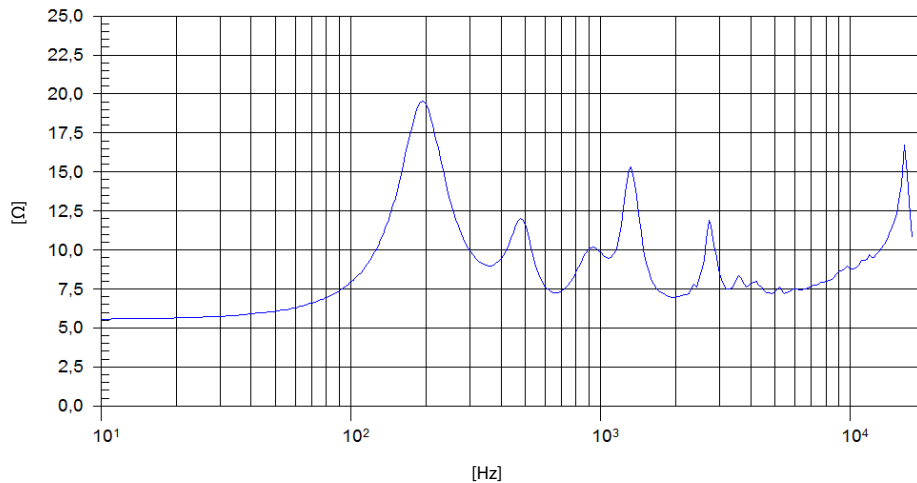
** Sensitivity was measured at 1m distance, on axis, with 1 W input, averaged in the range 1 - 7 kHz.



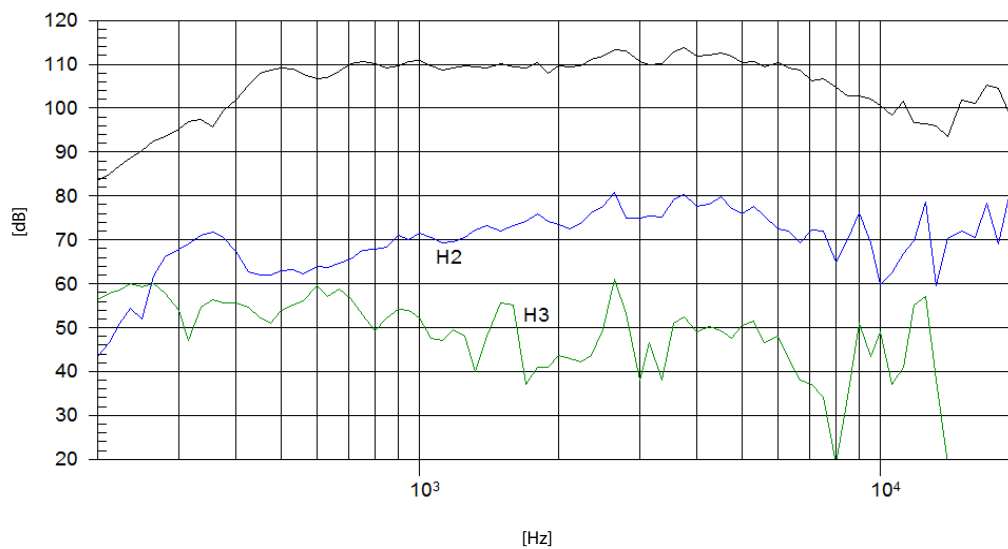
DIMENSION DRAWINGS



FREE AIR IMPEDANCE CURVE



FREQUENCY RESPONSE AND DISTORTION



Note: On axis frequency response measured coupled to TD-460/N horn in anechoic chamber, 1W @ 1m