

**beyma**  **G-112GA**

**MI-SERIES GUITAR CABINET**

*Single 12GA50 Full Range Transducer*





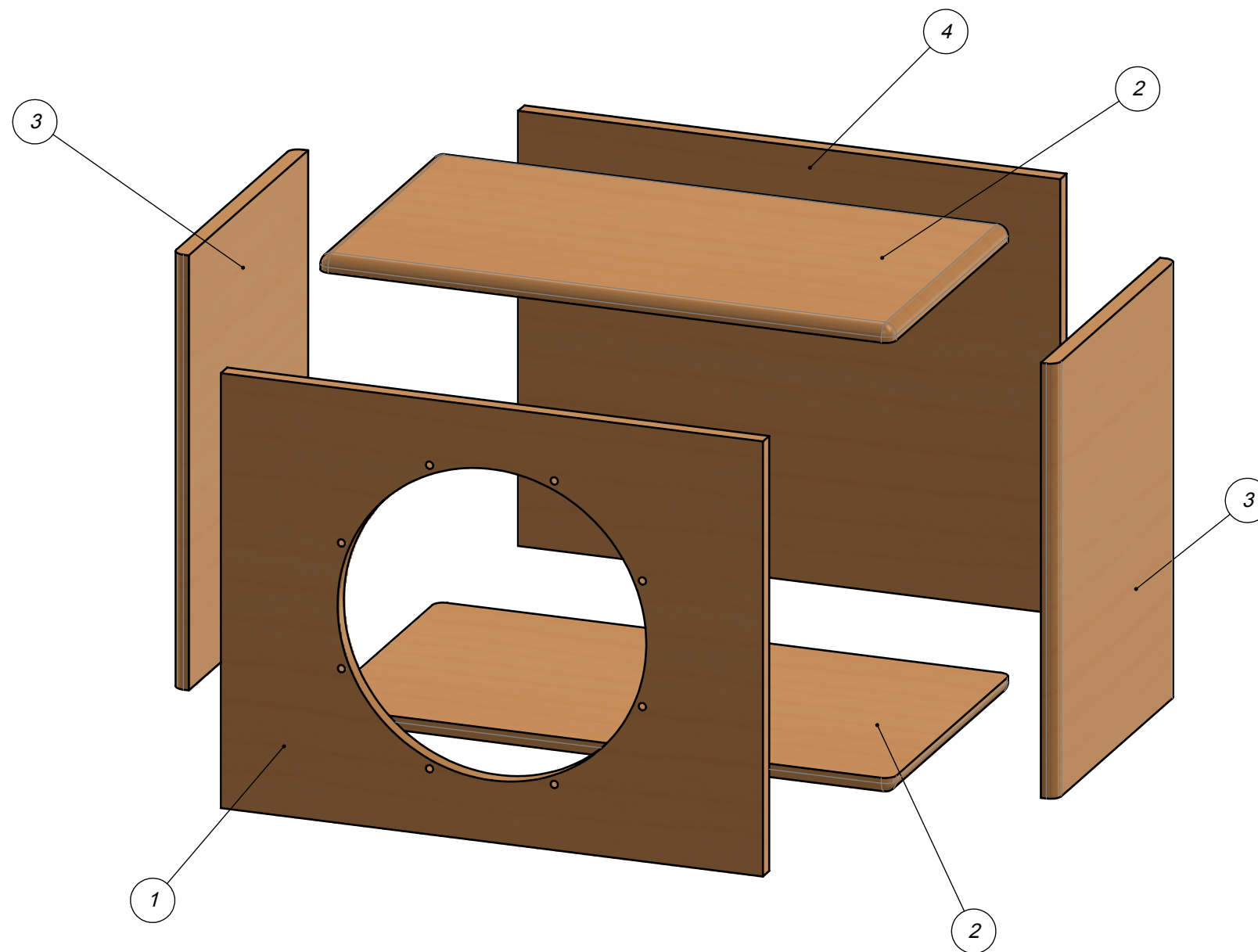
**TECHNICAL SPECIFICATIONS**

<b>Frequency response (-3 dB)</b>	98 Hz - 16 kHz
<b>Usable bandwidth (-10 dB)</b>	63 Hz - 20 kHz
<b>Maximum SPL (*)</b>	126 dB
<b>Sensitivity 1W@1m</b>	102 dB
<b>Transducers LF:</b>	12GA50
<b>AES power handling:</b>	250 W
<b>Nominal impedance:</b>	8 Ω
<b>Connectors:</b>	2 x NL4
<b>Box Dimensions (**)</b>	520 x 420 x 285 (Birch Plywood 15mm)
<b>Weight</b>	10 Kg (22 lb)

(\*) Peak level at 1 m under free field conditions using pink noise with 2 crest factor (6 dB).  
 (\*\*) All dimensions in this files are in millimeters.



**EXPLODED VIEW**

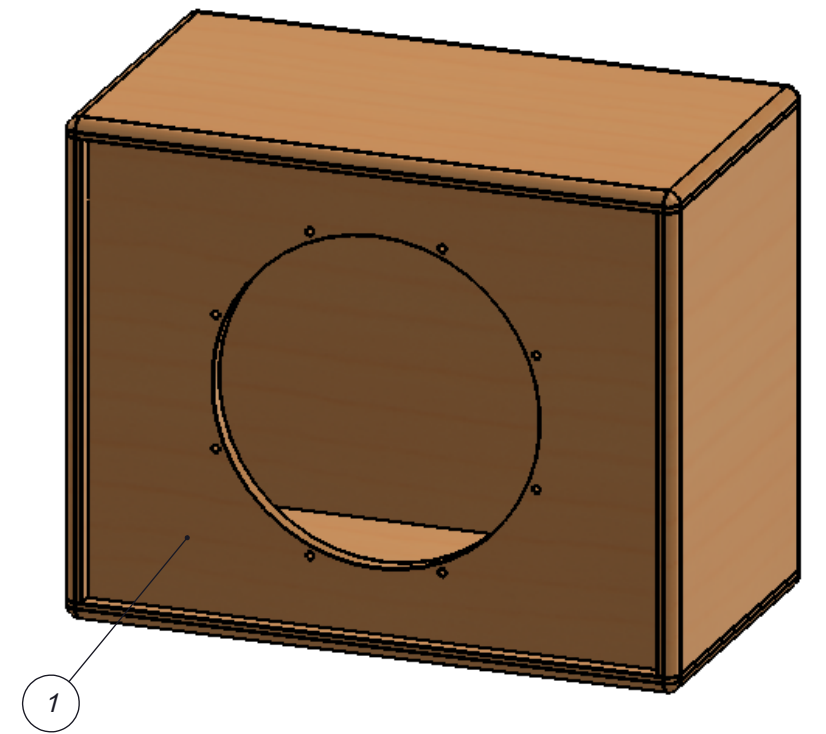
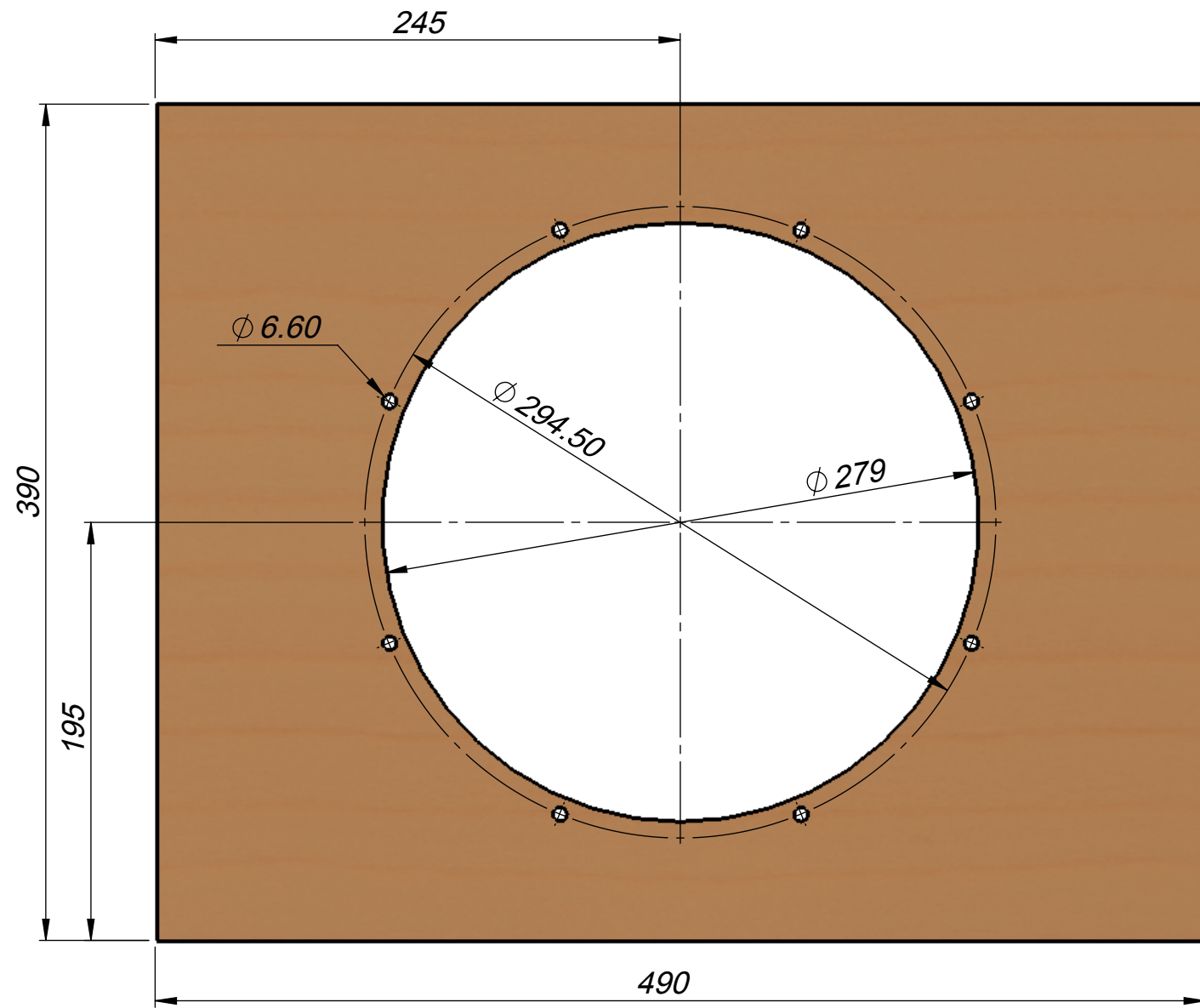


**PARTS LIST**

ITEM NO.	PARTS DIMENSIONS	QTY.
1	490 x 390 x 15	1
2	520 x 285 x 15	2
3	285 x 390 x 15	2
4	490 x 285 x 15	1

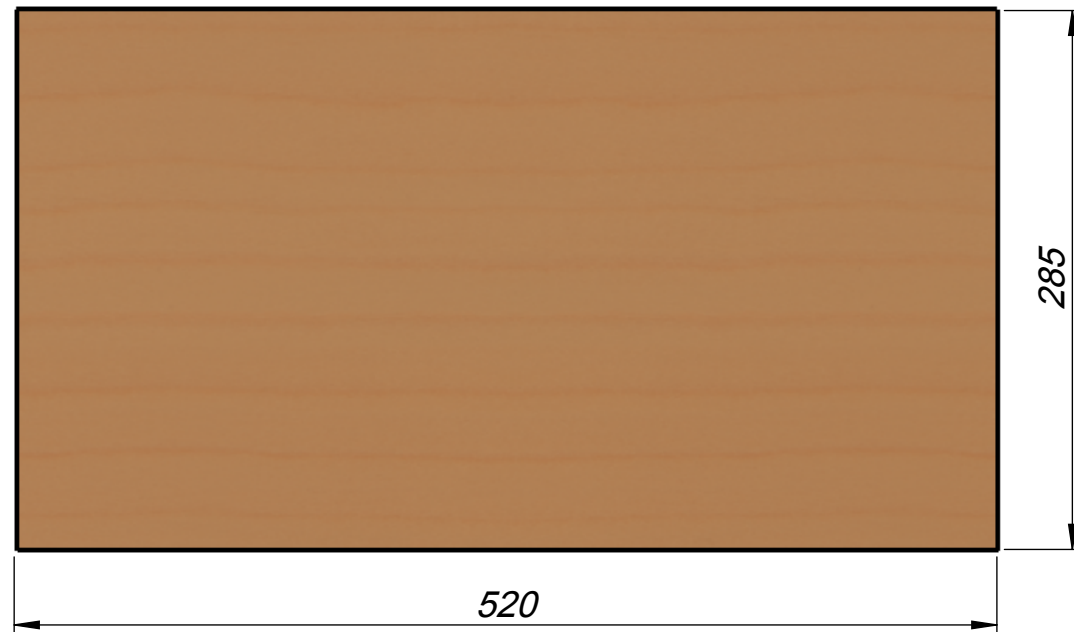
FRONT PANEL

1

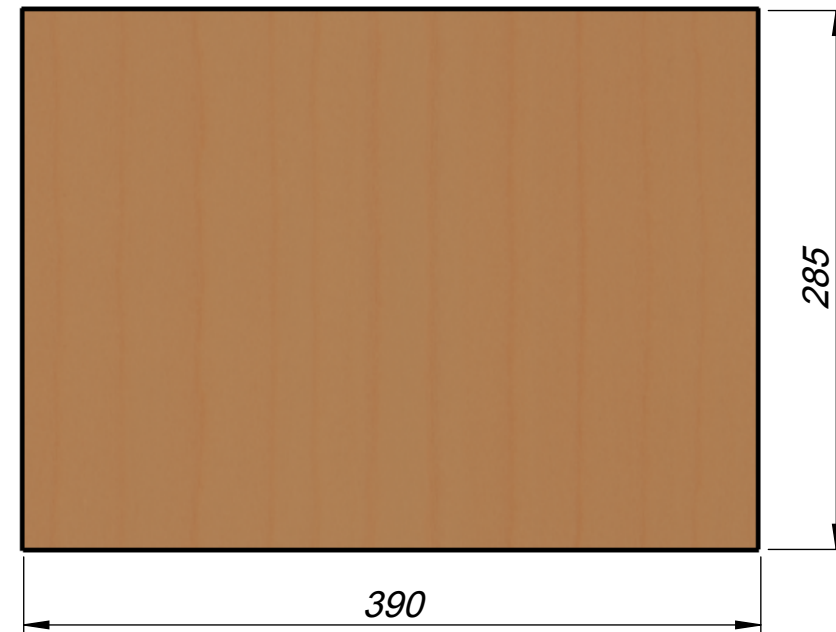


SIDES

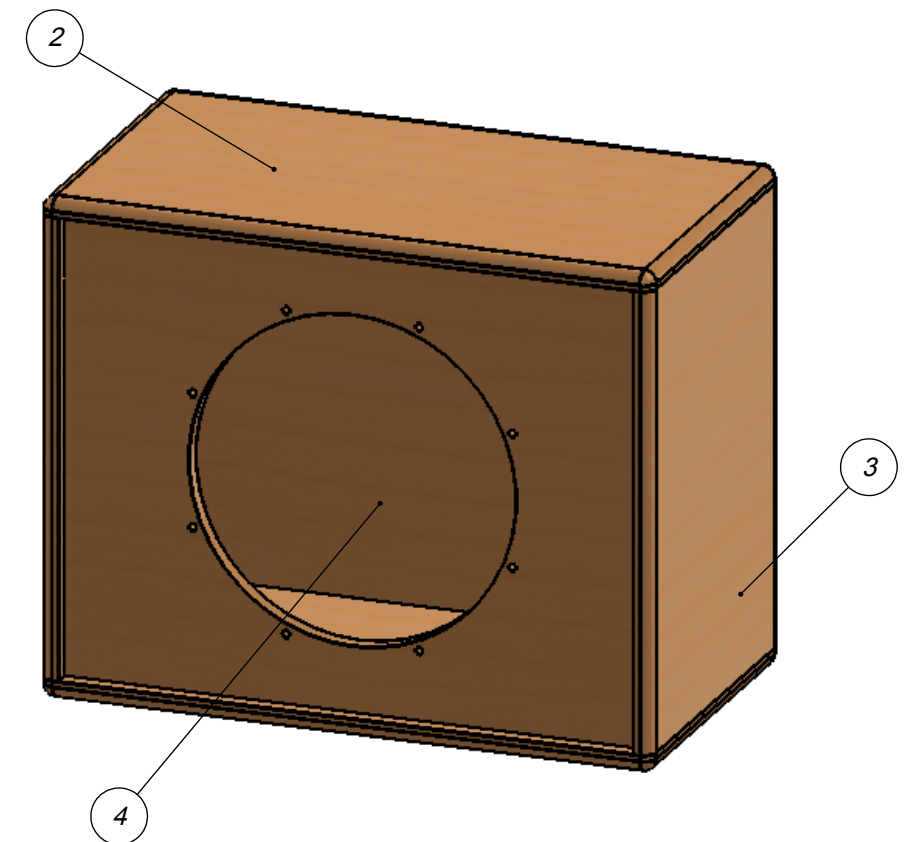
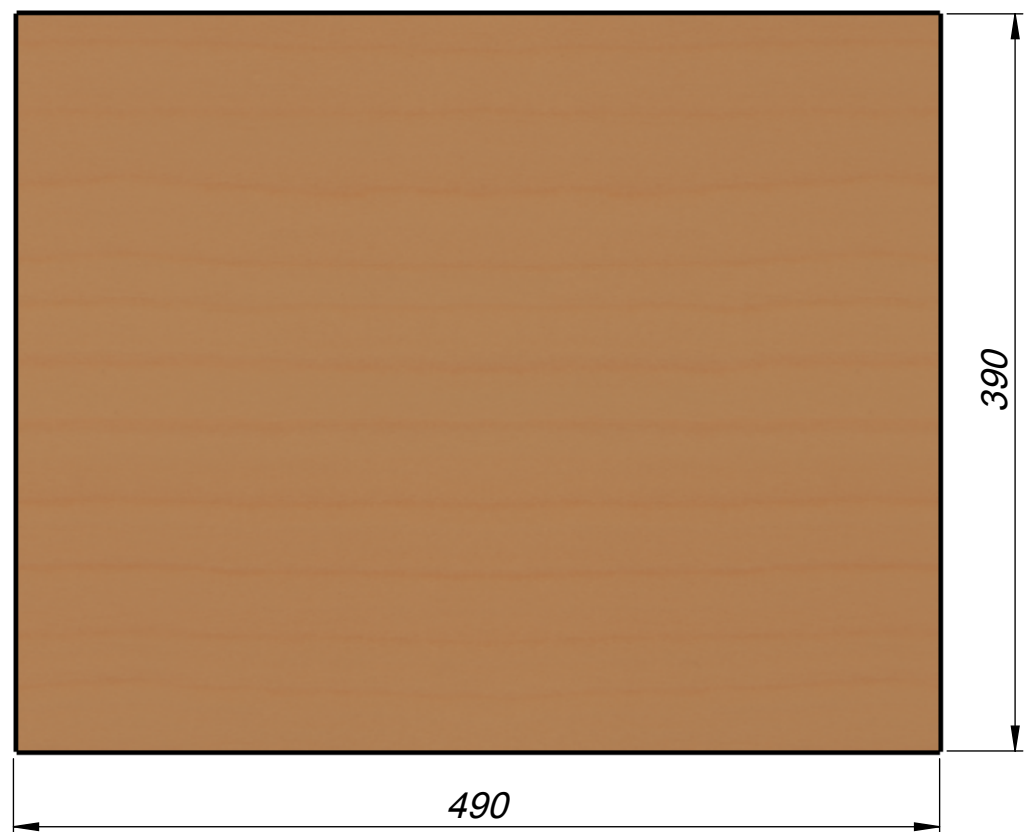
2



3



4





**beyma**  **MI SERIES**

**G-112GA & B-210WR**  
**GUITAR & BASS CABINETS**

