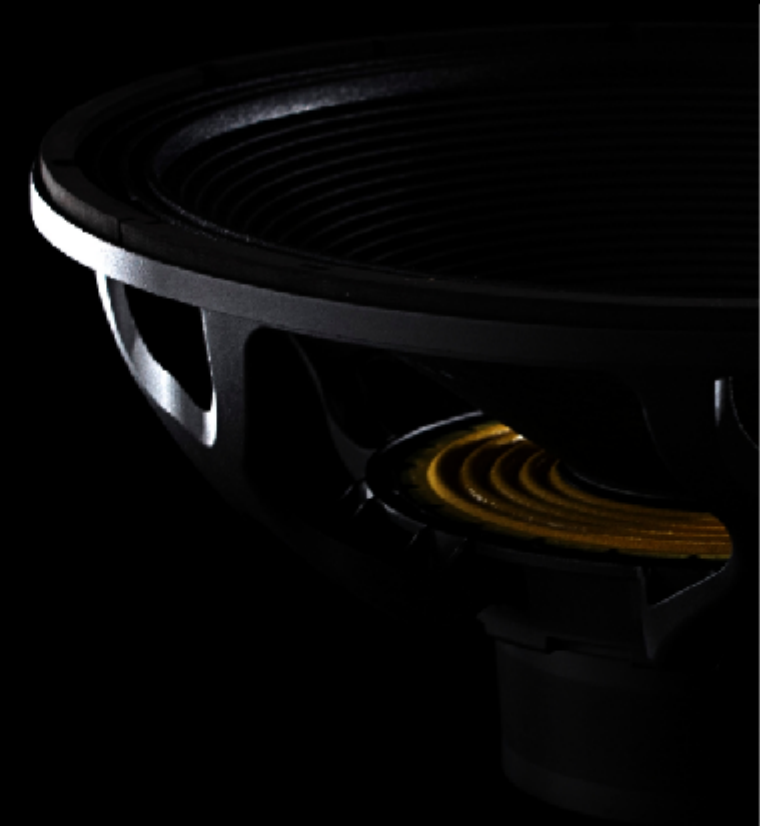


# **beyma** **FR-15CM**

**FULL RANGE 2 WAY SYSTEM 15"**  
**15CMV2 - CD11Fe - TD-194**





**TECHNICAL SPECIFICATIONS**

<i>Frequency response (<math>\pm 3</math> dB)</i>	54 Hz - 20 kHz
<i>Usable bandwidth (-10 dB)</i>	36 Hz - 20 kHz
<i>Maximum SPL (*)</i>	128.5 dB
<i>Sensitivity 1W@1m</i>	97 dB
<i>HxV Coverage angle (-6 dB)</i>	90°x40° rotatable
<i>Transducers LF:</i>	<b>15CMV2</b>
<i>Transducers HF:</i>	<b>CD-11Fe</b> coupled to <b>TD-194</b>
<i>AES power handling:</i>	350 W
<i>Nominal impedance:</i>	8 $\Omega$
<i>Connectors:</i>	2 x NL4
<i>Box Dimensions: (**)</i>	432 x 414 x 720 (Birch Plywood 15mm)

**(\*\*) Peak level at 1 m under free field conditions using pink noise with 2 crest factor (6 dB).**  
**(\*\*) All dimensions in this files are in millimeters.**

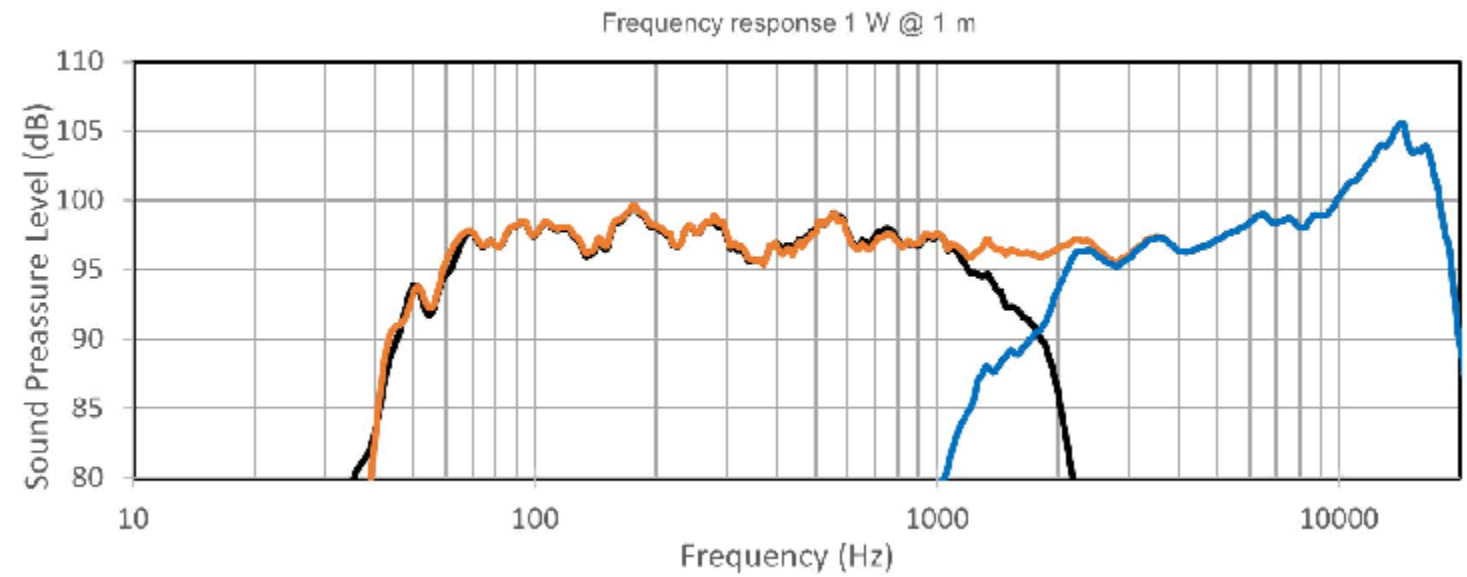


**PRESETS**

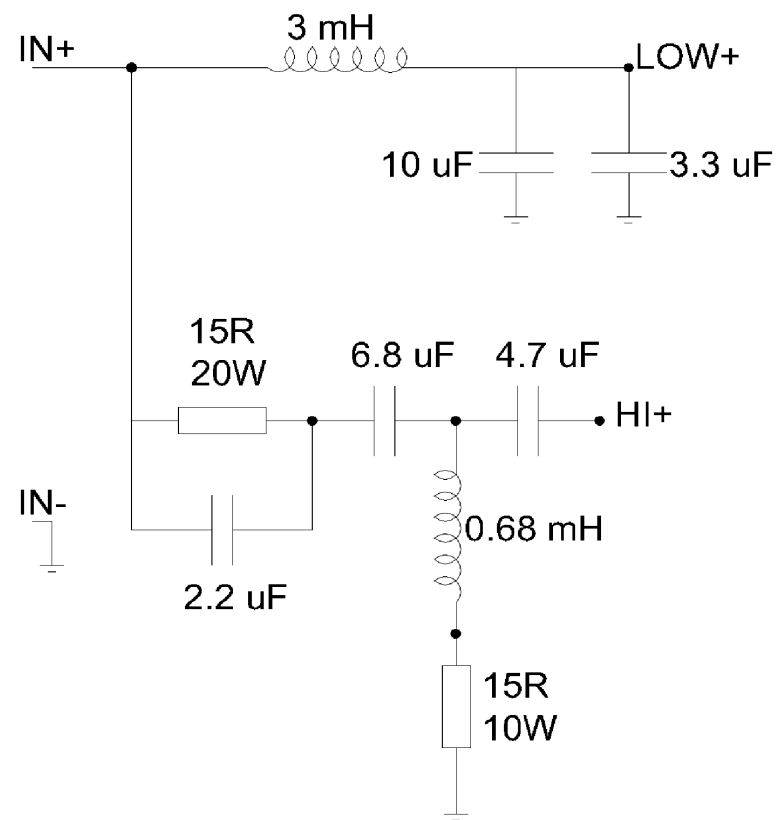
FR-15CM	f (Hz)	Q	Gain (dB)
1	80	1,5	+2
2	360	3,4	+2
3			
4			
LIMITER (*)	Threshold	Attack	Release
	5 dBu	18 ms	198 ms

*\*for 32 dB Gain amplifier*

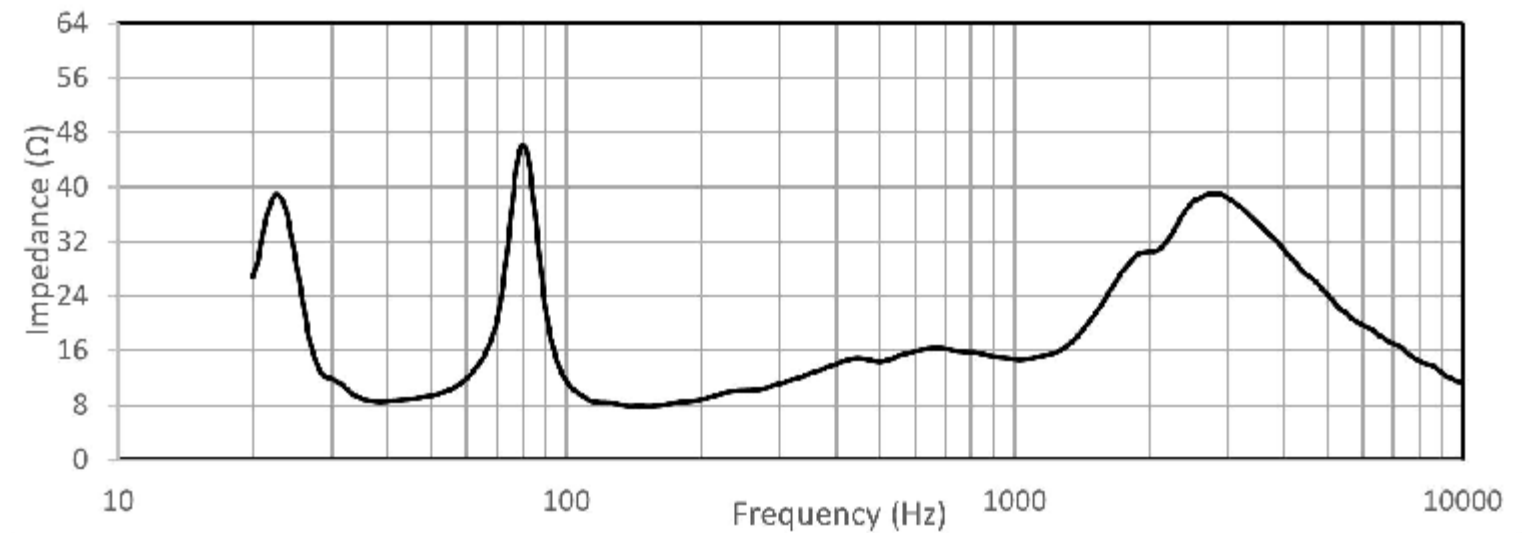
**FREQUENCY RESPONSE**



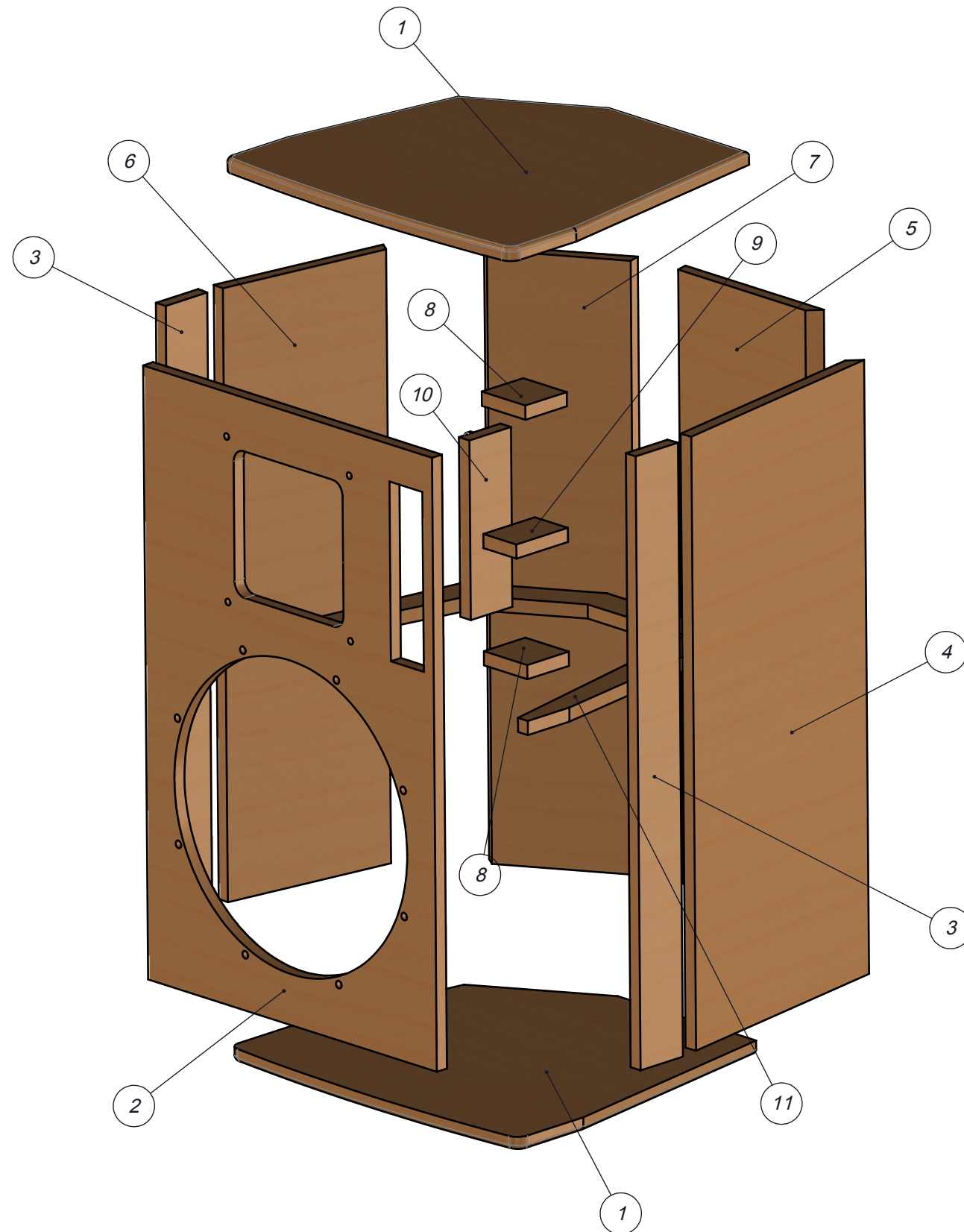
**PASSIVE CROSSOVER DESIGN**



**IMPEDANCE**



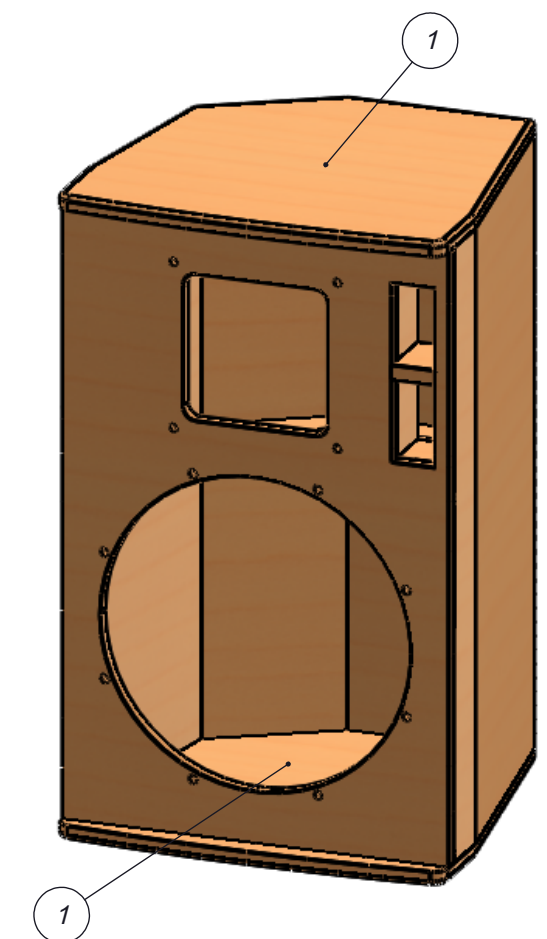
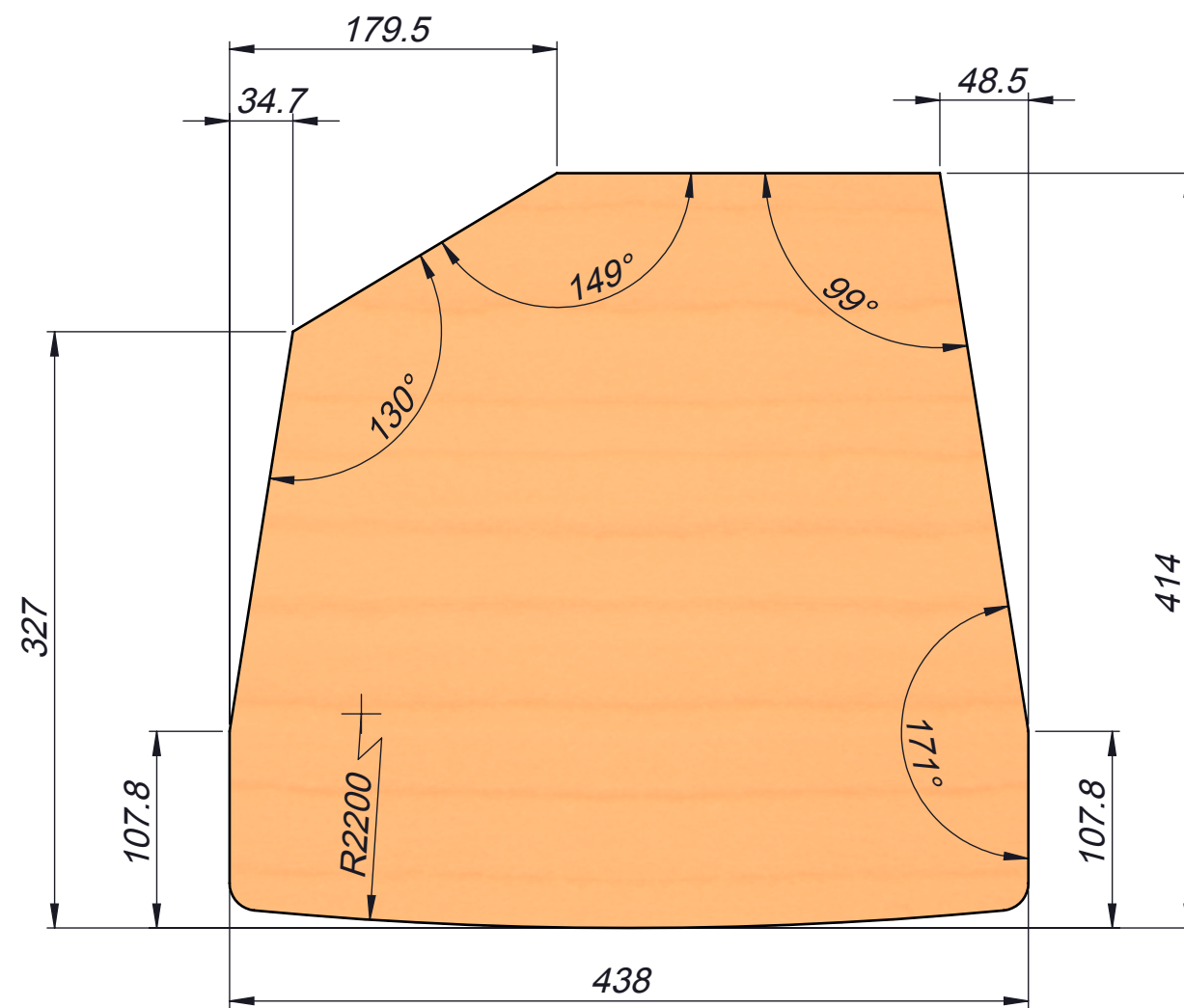
EXPLODED VIEW



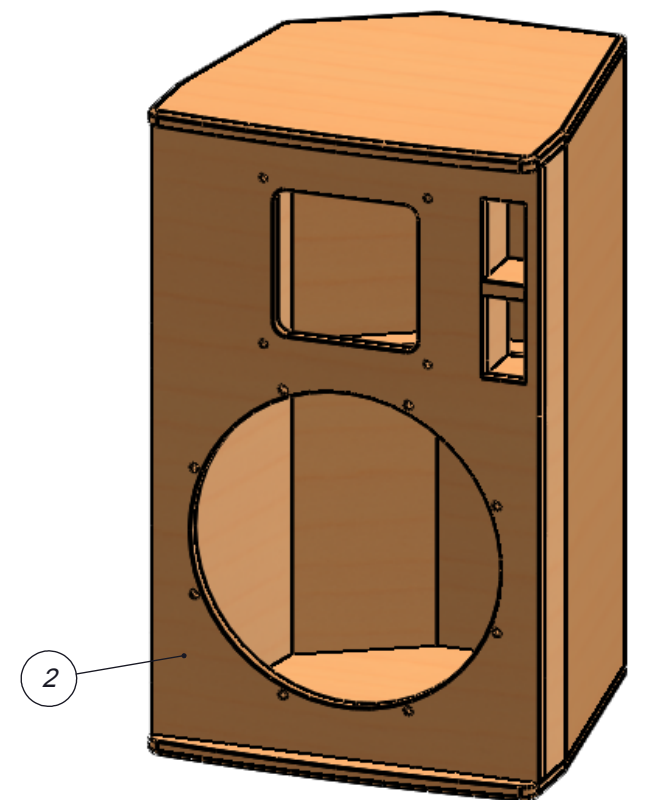
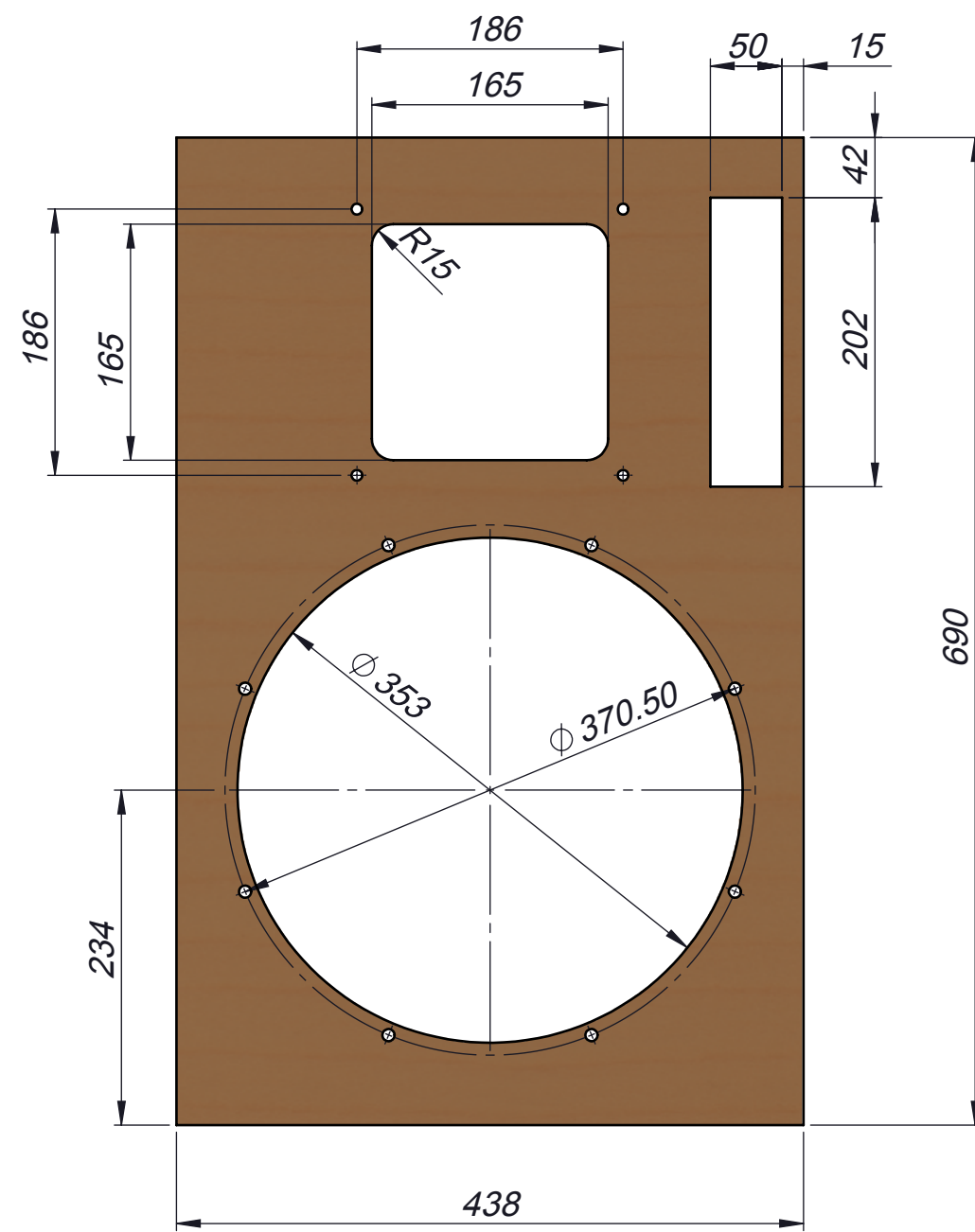
PARTS LIST

ITEM N°	PARTS DIMENSIONS	QTY.
1	438 x 414 x 15	2
2	438 x 690 x 15	1
3	63.3 x 690 x 15	2
4	310 x 690 x 15	1
5	210 x 690 x 15	1
6	221.9 x 690 x 15	1
7	169 x 690 x 15	1
8	66 x 62 x 15	2
9	50 x 77 x 15	1
10	62 x 202 x 15	1
11	408 x 354.5 x 15	1

TOP AND BOTTOM PARTS

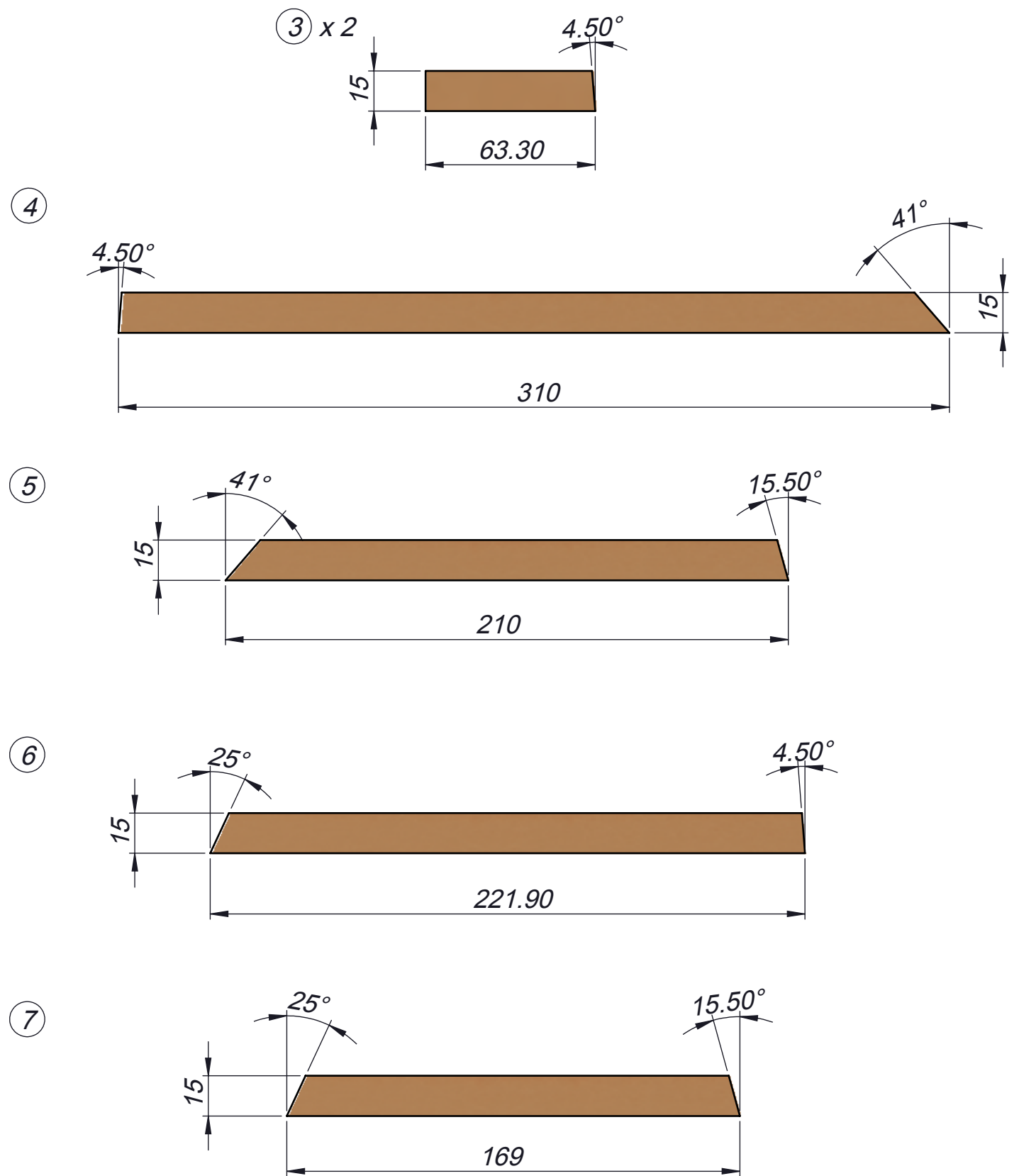


FRONT PANEL

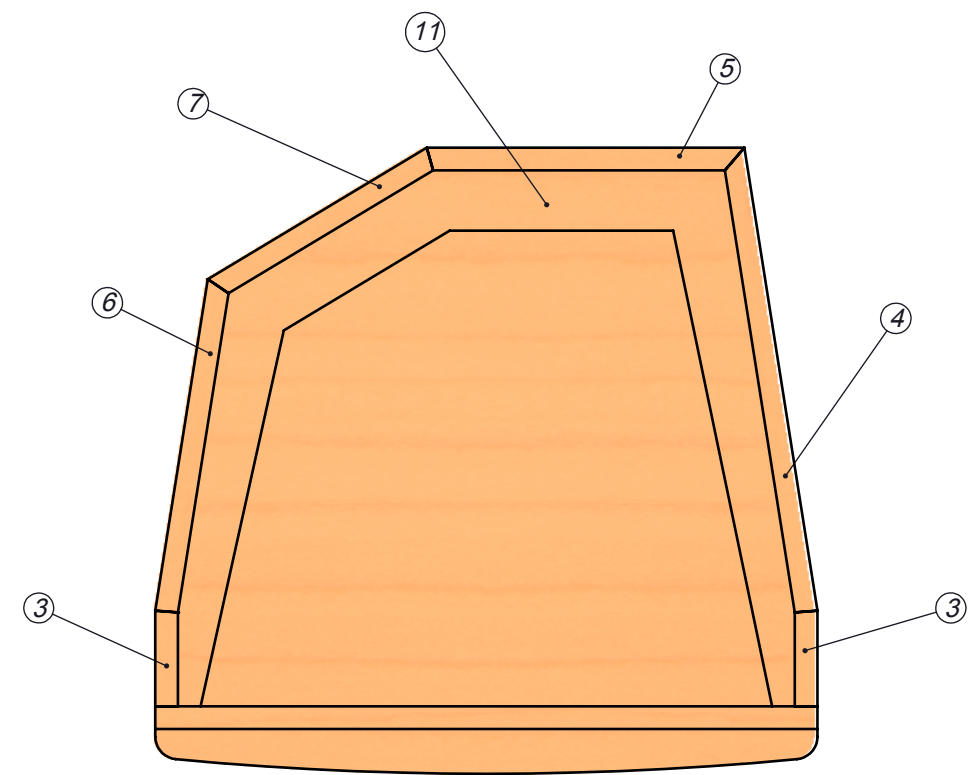
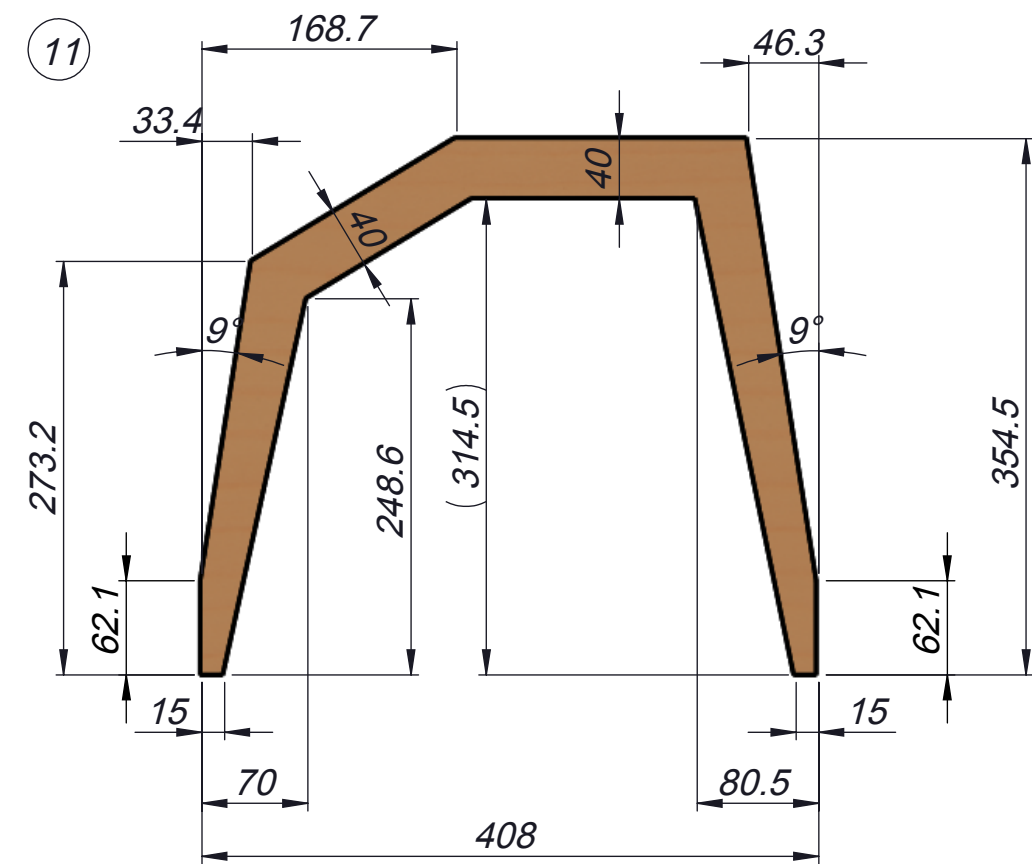




SIDES



INNER REINFORCEMENT

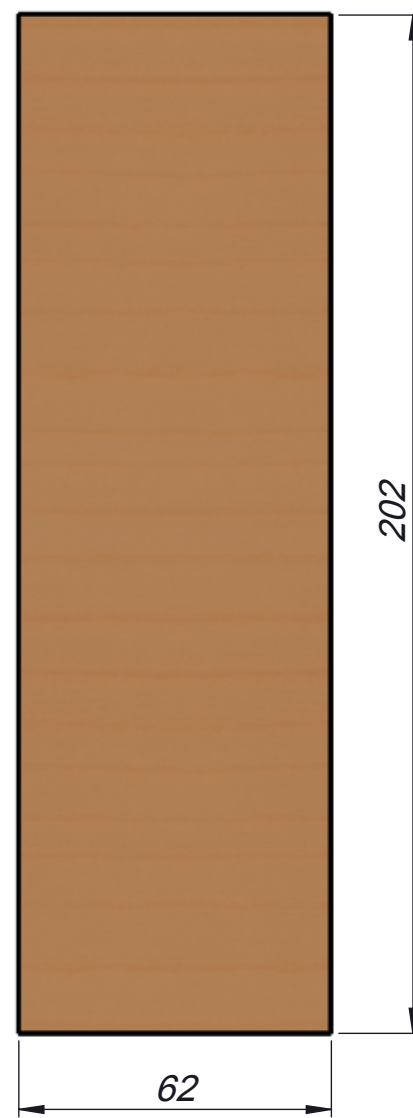


VENT ASSEMBLY

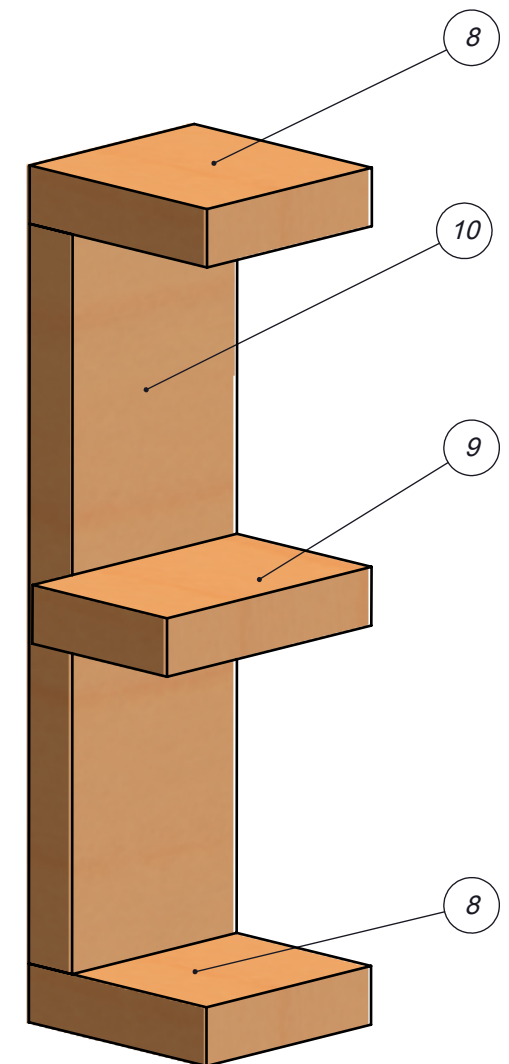
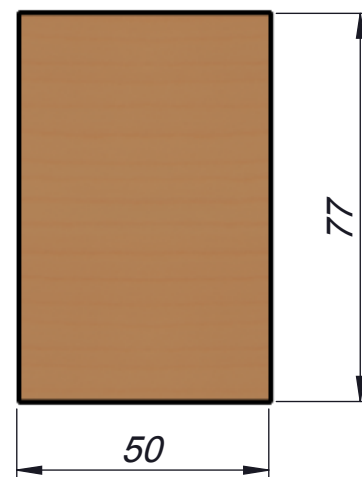
8 x 2



10



9





**beyma**  **FR-CM**

**FULL RANGE 2 WAY SYSTEM SERIES**

